

Ikegami



Precision Imagery for Critical Applications

[24-inch Medical Grade LCD Color Monitor]

MLW-2424C-DC

The MLW-2424C-DC is a wide screen 24-inch LCD monitor providing a high-definition image, with the color reproduction and functionality required in the medical field.

It is designed with a flat front panel, with no vents or fans.

Pursuing the exceptional quality for medical applications

10-bit IPS Panel with LED Backlight

This monitor is fitted with a high brightness IPS panel with wide viewing angle of 178 degrees up/down and left/right. The energy saving LED backlit panel reduces power consumption by 50% compared with the previous model. 12-bit signal processing and 10-bit LCD panel support smooth gradation.

Wide Color Gamut

The MLW-2424C-DC realizes a wide color gamut of DIC 98% and Adobe RGB 99%, superior to standard monitors conforming to BT709/SMPTE. It provides a wide color gamut in red, and true color reproduction required in the medical field.

Variety of friendly features

Two Screen Display

SDI and another input signal can be displayed simultaneously with side-by-side or picture-in-picture display modes.

- Signal combinations • SDI & DVI-D • SDI & S-VIDEO • SDI & Component
• SDI & RGB • SDI & VIDEO



side-by-side



picture-in-picture

Function Key

For convenient use, a frequently used function can be assigned to the Function key to select instantly.

Flip Function

Images can be flipped horizontally and vertically.



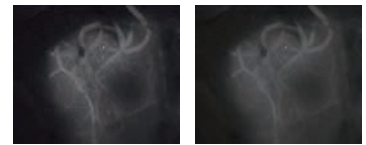
Touch Switch

A touch switch is fitted for easy operation.



Dynamic Image Contrast Enhancer

By calculating the brightness of the entire screen and extending the dynamic range between white and black in real time, automatically optimized black level and high contrast are achieved.



Function ON Function OFF

Still Image

It is possible to check with a still image against the current video. The input video and memorized still image can be compared on the screen.

Hyper Image Enhancer

By controlling the chromaticity, luminance, and edge enhancement of a specific color space, the MLW-2424C-DC is able to improve the reproduction of difficult areas within a picture.



Function ON Function OFF

No Vent Structure

This monitor is cooled by air convection without vents and fans which allows easy cleaning.

* The picture is a composite image.

Specifications

LCD Panel Size	24-inch
Backlight System	LED
Display Size	518.4(H) x 324(V)mm
View Angle	178° (up&down / left&right)
Maximum Brightness	400cd/m ² (Typical)
Contrast Ratio	1500:1 (Typical)
Pixels	1920(H) x 1200(V)
Color Gradient	1,073,740,000
Color Reproduction Range	Adobe RGB 99%, DCI 98%
VIDEO Input	
Signal and Connector	composite (VBS) 1CH:BNC (with loop through) Y/C (S-VIDEO) 1CH:S terminal (with loop through)
RGB/Component Input	
Signal and Connector	R,G,B or Y,Pb,Pr 1CH:HD-15 [D-Sub 15pin] (with loop through)
DVI Input	
Signal and Connector	DVI-D (equipped with cable compensation equipment:Max.30m) 1CH:DVI-D 24pin Max. clock 162MHz
SDI Input	
Signal and Connector	3G-SDI (Level A)/HD-SDI/SD-SDI 1CH:BNC (with loop through)
DCSV Output	1A output
Safety Approval	ANSI/AAMI ES60601-1, CSA C22.2 No. 60601-1, EN60601-1, GB4943.1-2011
EMC	
	FCC Class A, VCCI Class A EN60601-1-2, GB9254-2008 (Class A) GB17625.1-2012
Power Requirement	Monitor : DC 24V ±1V AC adapter : 100-120V/200-240V
Power Consumption	65W or less
Ambient Temperature	+5°C to +35°C
Dimensions	W584 x H400 x D83mm (excluding protrusions)
Weight	approx. 7.5kg (excluding stand)

Available Display Signal for DVI-D/HD15 (D-Sub15p)

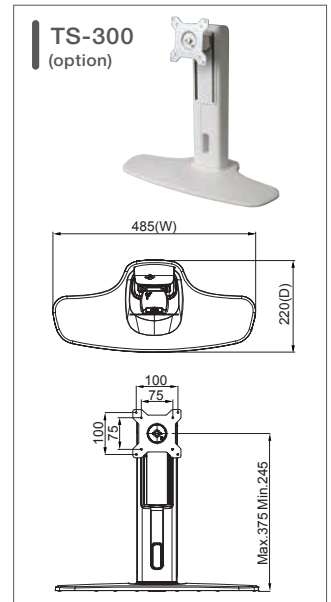
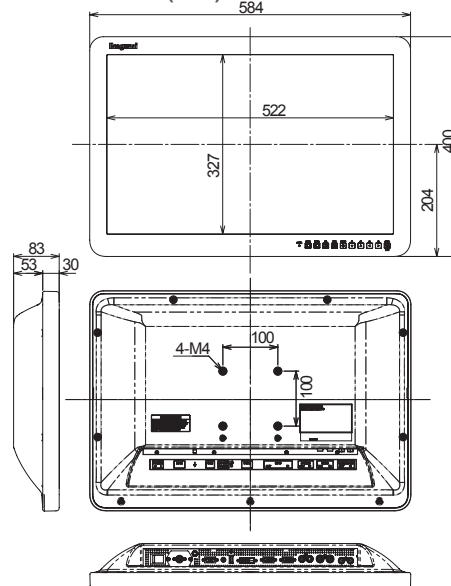
DVI-D	VGA, SVGA, XGA, SXGA, WUXGA 480i/60, 575i/50, 1080i/60, 1080i/50, 720P/60, 720P/50, 1080P/60, 1080P/50
HD15 (D-Sub15p)	VGA, SVGA, XGA, SXGA, WUXGA 480i/60*, 575i/50*, 1080i/60*, 1080i/50*, 720P/60, 720P/50, 1080P/60, 1080P/50

* Available for only G-Sync

Connector



Dimensions (mm)



Design and specifications are subject to change without notice.



Ikegami Tsushinki Co.,Ltd.

URL : <http://www.ikegami.co.jp/en/>

- Head Office : 5-6-16 Ikegami, Ohta-ku, Tokyo 146-8567, Japan TEL.+81-(0)3-5700-1111 / FAX.+81-(0)3-5700-1137
- Overseas Sales Division : 5-6-16 Ikegami, Ohta-ku, Tokyo 146-8567, Japan TEL.+81-(0)3-5700-4117 / FAX.+81-(0)3-5748-2200
- Beijing Office : Room No.307 Tower B, Jia Tai International Mansion No.41East Fourth Ring Road, Chaoyang District, Beijing China TEL.+86-(0)10-85710350 / FAX.+86-(0)10-85711804

Ikegami Electronics (U.S.A.), INC.

URL : <http://www.ikegami.com>

- Headquarters : 37 BROOK AVENUE, MAYWOOD, NJ 07607, U.S.A. TEL.+1-201-368-9171 / FAX.+1-201-569-1626

Ikegami Electronics (Europe) GmbH

URL : <http://www.ikegami.de>

- Headquarters : Ikegami Strasse 1, D-41460 Neuss, Germany TEL.+49-(0)2131-1230 / FAX.+49-(0)2131-102820
- U.K. Branch : 1 Windmill Business Village, Brooklands Close, Sunbury on Thames, TW16 7DY, England TEL.+44-(0)1932-769700 / FAX.+44-(0)1932-769710

Ikegami Electronics Asia Pacific Pte.Ltd. URL : <http://sg.ikegami.co.jp>

- Headquarters : 1 Tampines Central 5, #03-03 CPF Tampines Building, Singapore 529508 TEL.+65-6260-8820 / FAX.+65-6260-8896

U366B1610-IB

