

Ikegami

Broadcast 4K Monitors Lineup

HQLM-3125X 4K

4K **HDR** HQLM Series



HQLM-3125X

31-inch 4K/HD Multi-format LCD Master Monitor



The HQLM-3125X employs an LED-backlight 4096×2160 pixel 10-bit resolution UHD LCD panel with a contrast ratio of 1,000,000:1. 3G-SDI, HD-SDI and HDMI inputs are available as standard features. When it comes to 3G-SDI×4, square-division and two-sample interleave are available. For other 4K equipment, a dual-channel 12G-SDI input is also available. HQLM-3125X can also display test signals such as video waveform and display vertical interval time code. Additional broadcast related functions include an 8-channel embedded audio and closed caption displays.

**31-inch
4K LCD**

**4096x2160
pixel**

178° (H/V)

**Contrast
1M:1**

1,000 nits

BT.2020

DCI-P3 D65

DCI-P3

ACES

Adobe RGB

12G-SDI

3G/HD-SDI

**HDMI
(HDCP)**

**Embedded
Audio**

**Analogue
Audio Out**

**HDR
HLG/PQ**

**HD/UHD
(2K/4K)**

**UMD
IMD**

**3D LUT
CC**

**Gamut
Marker**

VITC/LTC

WFM

Vectorscope

CC

**762 x 467 x 172 mm
(30 x 18.39 x 6.77 inches)**

**30 kg
(66.14 lbs)**

HQLM-3120W

31-inch 4K/HD Multi-format LCD Monitor



The HQLM-3120W is equipped with 2 channels of 12G-SDI input as standard for efficient configuration with 4K equipment such as cameras and switchers. In addition, this monitor includes 3G-SDI, HD-SDI and HDMI inputs as standard. It has the flexibility to work with various interfaces in the image production field. By employing a 31.1-inch 4096 x 2160 pixel UHD LCD panel using LED backlight, it can reproduce high resolution 4K and 2K images.

31-inch 4K LCD	4096x2160 pixel	178° (H/V)	Contrast 1,500:1	350 nits
BT.2020	DCI-P3	ACES	Adobe RGB	
12G-SDI	3G/HD-SDI	HDMI (HDCP)	Embedded Audio	Analogue Audio Out
HDR HLG/PQ	HD/UHD (2K/4K)	UMD IMD	VITC/LTC	WFM
Vectorscope	CC	Auto Calibration*		
750 x 459 x 107 mm (29.52 x 18.07 x 4.21 inches)	14.5 kg (31.96 lbs)			

*Option

HQLM-1720WR

17-inch 4K/HD Multi-format LCD Monitor



The HQLM-1720WR is equipped with 2 channels of 12G-SDI input as standard for efficient configuration with 4K equipment such as cameras and switchers. In addition, this monitor includes 3G-SDI, HD-SDI and HDMI inputs as standard. It has the flexibility to work with various interfaces in the image production field. By employing a 16.5-inch 3840×2160 pixel UHD LCD panel using LED backlight, it can reproduce high resolution 4K and 2K images.

**17-inch
4K LCD**

**3840x2160
pixel**

178° (H/V)

**Contrast
800:1**

450 nits

BT.2020

DCI-P3

ACES

Adobe RGB

12G-SDI

3G/HD-SDI

**HDMI
(HDCP)**

**Embedded
Audio**

**Analogue
Audio Out**

**HDR
HLG/PQ**

**HD/UHD
(2K/4K)**

**UMD
IMD**

VITC/LTC

WFM

Vectorscope

CC

**Auto
Calibration***

**428 x 309 x 145 mm
(16.85 x 12.17 x 5.7 inches)**

**8.5 kg
(18.74 lbs)**

7RU

*Option

Evolutionary Features for HQLM Series

HDR High Dynamic Range



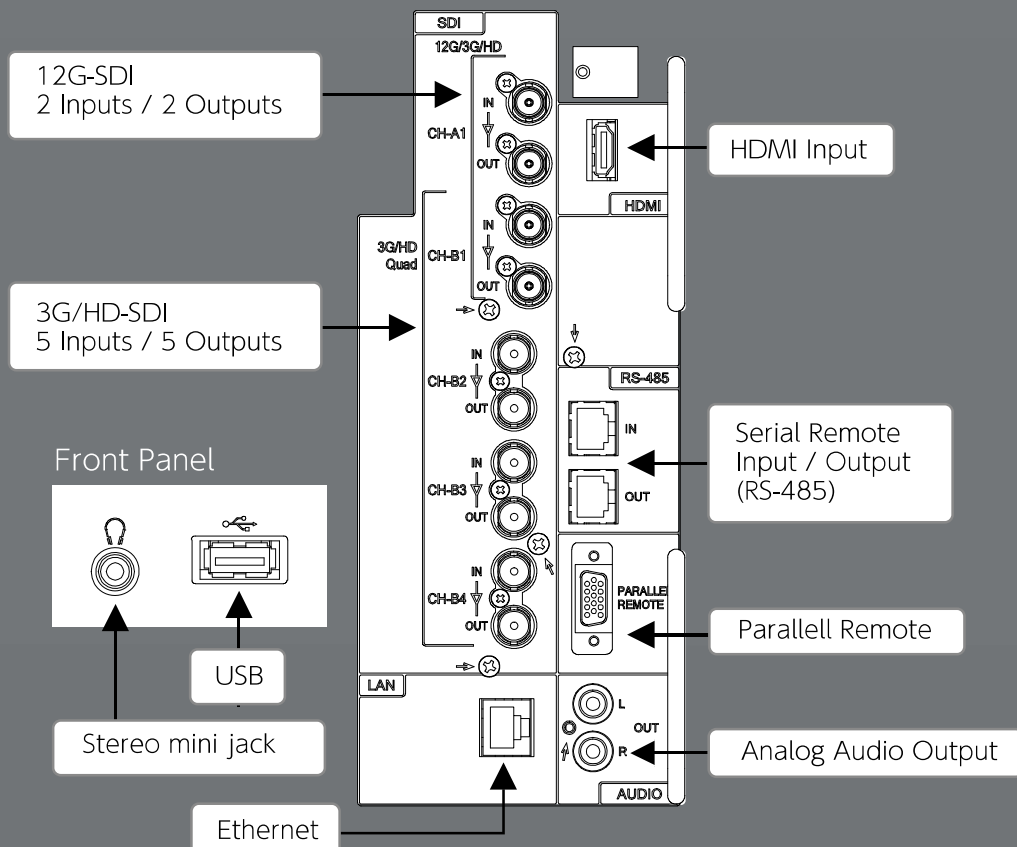
4K SDR Image



4K HDR Image

The HDR will comply with Hybrid Log-Gamma (HLG) and SMPTE ST 2084(PQ), among others, using direct backlight (brightness 1,000 nits). These features comply with the ITU-R BT.2020 and BT.2100 HDR standards. The HQLM series provides a wide-color gamut corresponding to the ITU-R BT.2020 standard. Support for ITU-R BT.709/ DCI-P3 D65/ DCI-P3/ ACES/ Adobe RGB standards is also available.

Supports Various Inputs/Outputs





Specifications

HQLM-3125X

HQLM-3120W

HQLM-1720WR

Display Panel		a-Si TFT-LCD	
LCD Panel			
Number of Pixels	H 4096×V 2160 pixels		H 3840×V 2160 pixels
Pixel Pitch	0.1704×0.1704 mm		0.09945×0.09945 mm
Display Size	17:9 W 698×H 368 mm		16:9 W 382 x H 215 mm
Brightness (Panel)	1,000 nits	350 nits	450 nits
Contrast Ratio	1,000,000:1	1,500:1	800:1
Number of Display Colors	1.07 billion colors		16.78 million colors
Viewing Angle	178° (up&down, left&right : CR≥10)		
Rating & Performance		D65 / D93 / FILE 1 to 8	
Color Temperature Setting	ITU-R BT.2100, SMPTE ST.2084, 2.2, 2.4, 2.6, S-Log, S-Log3, ACES Proxy		
EOTF	ITU-R BT.2020*, ITU-R BT.709, EBU*, SMPTE-C2*, DCI-P3 D65*, DCI-P3*, ACES*, Adobe RGB*, S-Gamut3.Cine, Panel		
Color Space	*RGB color points are not fully included, *HQLM-3125X only		
Power Requirement	100 to 120 / 200 to 240 V AC±10%, 50/60Hz		
Power Consumption	Approx. 450W	Approx. 150W	Approx. 120W
Ambient Temperature	0°C to +35°C (32°F to +95°F) (20 to 85% humidity non-condensing)	0°C to +40°C (32°F to +104°F) (20 to 85% humidity non-condensing)	
Storage Temperature	-10°C to +50°C (14°F to +122°F) (10 to 85% humidity non-condensing)	-20°C to +60°C (-4°F to +140°F) (5 to 85% humidity non-condensing)	-20°C to +60°C (-4°F to +140°F) (20 to 85% humidity non-condensing)
Dimensions	W762×H467×D172mm W30×H18.39×D6.77 inch	W750×H459×D107.2mm (W29.52×H18.07×D4.22 inch)	W428×H309×D145mm (W16.85×H12.17×D5.7 inch)
Weight *Excluding stand	30kg (66.14lbs)	14.5kg (31.96lbs)	8.5kg (18.74lbs)
Video		2 BNC inputs / 2 BNC outputs (Active Loop Through) Max.70m with 5.5 CUHD cable	
Input/Output	12G-SDI	5 BNC inputs (2 shared with 12G-SDI) / 5 BNC outputs (Active Loop Through)	
	3G-SDI/HD-SDI	1 input (HDCP2.2)	
	HDMI		
Audio		Embedded Audio Level Meter Display (8 ch)	
Display			
Speaker	Rating Output	1W+1W or more	
	Analog Audio Output	● (Stereo)	
5.1ch Surround Down-mix Output	●		
Headphone Output	●		
Command Control			
Ethernet	●		
Parallel Remote	●		
Serial Remote (RS-485)	●		
TSL (V3.1/V5.0)	●		
USB Mouse	●		
Infrared rays Remote (Controlled by RCT-30A)	●		
Function		● (Z types)	
Built-in Test Signal	●		
Marker	● (10 Scenes x 12 Markers)		
User Marker	●		
WFM (R/G/B/RGB/Y/Cb/Cr/YCbCr)	●		
VTC	●		
LTC	●		
Vector Scope (VSC)	●		
4-split Screen	●		
Auto Calibration	—	●	●
UMD/IMD	●		
Closed Caption(EIA/CEA-708)	●		
HDR	●		
U, SELECT (1-4)	●		
Payload ID	●		
3D&1D LUT Correction	●	—	—
ASC CDL (Picture quality adjustment)	●	—	—
Gamut Marker	●	—	—
Uniformity Function	●	—	—

● : Standard

Option

	Model	Description	HQLM-3125X	HQLM-3120W	HQLM-1720WR	Remarks
Remote Controller	RCT-30A	Infrared Remote Controller	●	●	●	
	SRC-400	Serial Remote Controller	●	●	●	Controls up to 96 monitors with loop through connection (Made to order item)
Rackmount Adaptor	RS-1770	19-inch Rack Mount Adaptor			●	Fixed type, 7RU height
	RS-1770T	19-inch Rack Mount Adaptor with Tilt Mechanism			●	4-Step Angle, 8RU height with RS-1770T-BP
	RS-1770T-BP	Blank Panel			●	for RS-1770T
Stand	STD-3120T	Stand with Tilt Mechanism		●		(Made to order item)
	STD-3100P	Stand with Pan Mechanism	●	●		
	STD-1720	Monitor Stand			●	
	STD-1720T	Stand with Tilt Mechanism			●	Tilt (Axis:Center of Monitor):Up 15 degree / Down 8 degree
Handle	GR-1720	Handle			●	
LCD Protection	PP-1720	Screen Protection Cover			●	
	CC-3125	Hard Carrying Case	●			(Made to order item)
	CC-3120	Hard Carrying Case		●		(Made to order item)
	CC-Q1720	Hard Carrying Case			●	(Made to order item)

Rackmount Adaptor



RS-1770/1770T
19-inch Rack Mount Adaptor

Remote Controller

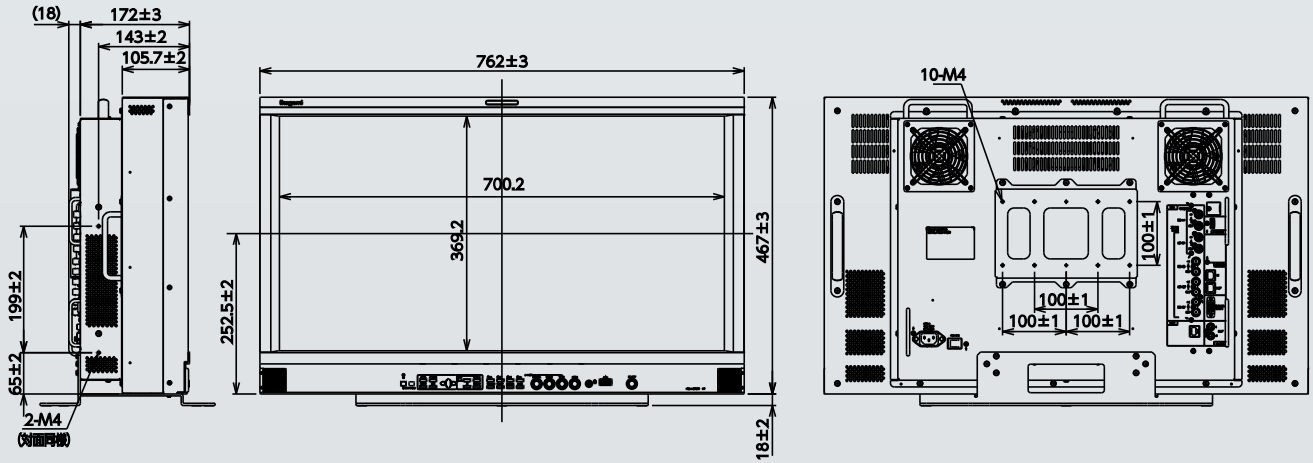


RCT-30A
Infrared Remote Controller

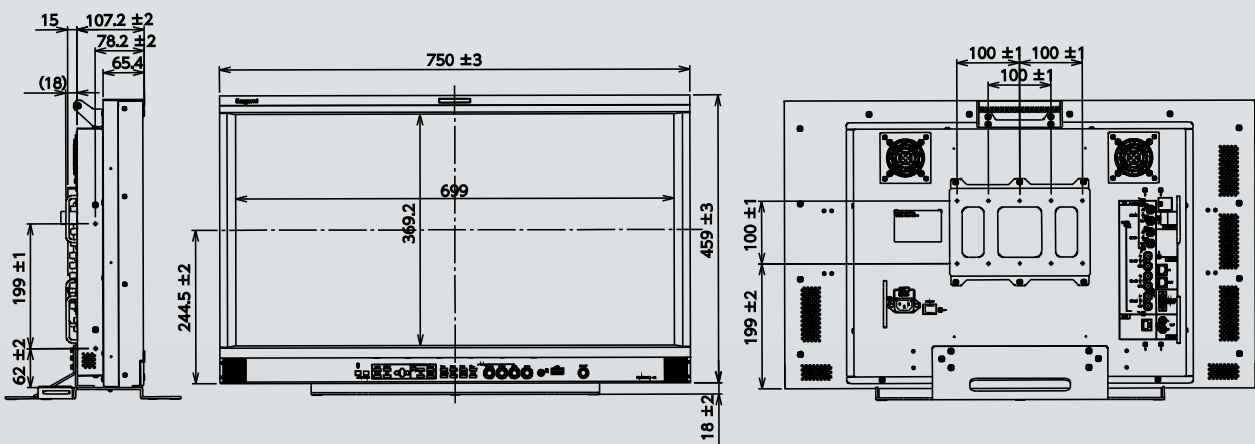
Dimensions

Unit : mm

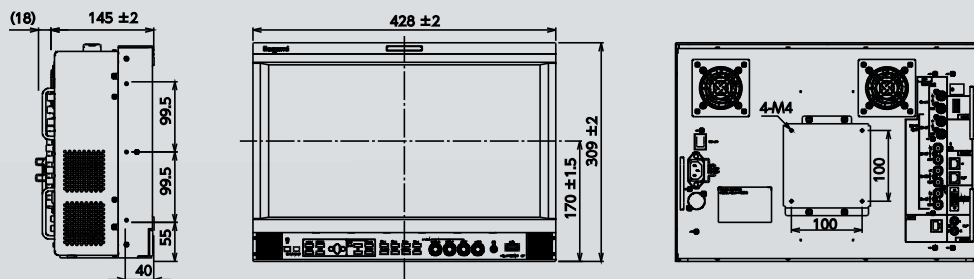
HQLM-3125X



HQLM-3120W



HQLM-1720WR



Broadcast 4K Monitors Lineup

Design and specifications are subject to change without notice.



U559A2412-SELF

Ikegami Tsushinki Co., Ltd.

■ URL:www.ikegami.co.jp/en/

- Headquarters : 5-6-16 Ikegami, Ohta-ku, Tokyo 146-8567, Japan TEL.+81-(0)3-5700-1111
- Beijing Office : Tower A Room No.823-824 Jia Tai International Mansion No.41
East Fourth Ring Road,Chaoyang District,Beijing ,China TEL.+86-10-8571-0350

Ikegami Electronics (U.S.A.), INC.

■ URL:www.ikegami.com

- Headquarters : 300 Route 17 South, Mahwah, NJ 07430 USA TEL.+1-201-368-9171

Ikegami Electronics (Europe) GmbH

■ URL:www.ikegami.de

- Headquarters : Ikegami Strasse 1, D-41460 Neuss, Germany TEL.+49-(0)2131-1230

Ikegami Electronics Asia Pacific Pte.Ltd.

■ URL:sg.ikegami.co.jp

- Headquarters : 1 Tampines Central 5, #06-04 CPF Tampines Building, Singapore 529508 TEL.+65-6260-8820

