



HLM-1705WR 17-inch Full HD Pixel Multi-format LCD Color Monitor

RoHS

High-End Broadcast LCD Monitor

NEW



The HLM-1705WR employs a 17-inch full 1920X1080 pixel resolution LCD panel, and achieves compact size, light weight, and low power consumption, providing practical use in a wide range of broadcast applications such as sub-control room, editing / monitor rack, ON-AIR console, OB Van etc. It supports 3G/HD/SD-SDI inputs, also VBS inputs as standard. By employing a full 1920X1080 pixel LCD panel which has wide viewing angle, high brightness, high contrast, quick motion response and superb color reproduction, the HLM-1705WR achieves one-by-one pixel allocation without resizing and superb gradation characteristics.

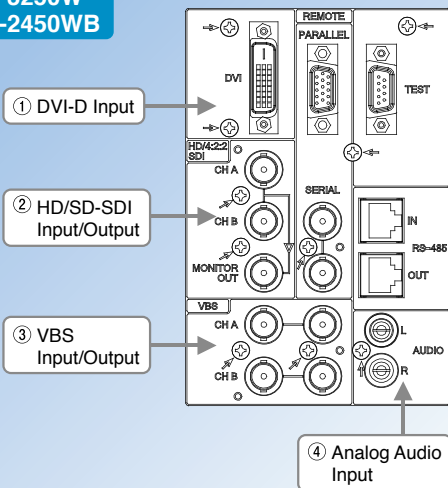


17-inch Full HD	1920×1080 pixel	Viewing Angle 178degree(H/V)	Contrast Ratio 1000:1	AC:40W (max)		
VBS Input	3G/HD/SD(4:2:2)-SDI Input	Embedded Analog Audio Output	Embedded Audio Meter	Analog Audio 2ch Iutput	5.1ch Surround Down-mix	ASP-100 ▲
4:3/16:9	Remote (Parallel)	Remote (Mouse)	Remote (RS485)	Marker	User Marker (10 scenes)	Shadow
7-Test Signal Generator	10-Color temperature-memory	Speaker	VITC Display	WFM Monitoring Display	Split Screen/ Full Screen Comparison	Dot-by-Dot Display
Vector Scope Display	Mouse Menu Control	USB Memory (Data/Picture)	IMD Display	4 Times Zoom	Mix Test Signal	
*428×*301×*80mm (**16.9×*11.9×*3.2inches)		7RU	Approx 6.0kg (13.22lbs) *		* Excluding Options and Stand	

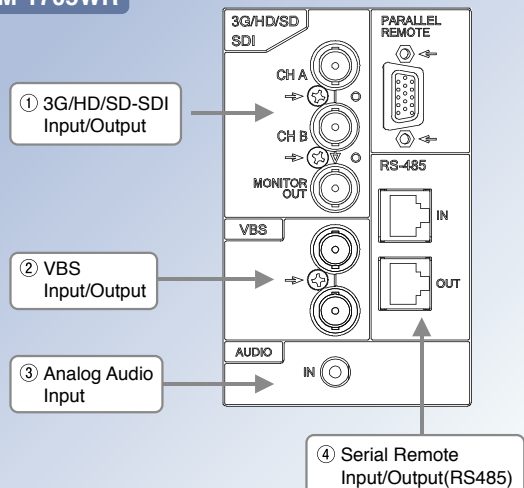
▲ Option

HLM-3250W·HLM-2450WB·HLM-1705WR Variety of Input/Output

HLM-3250W
HLM-2450WB



HLM-1705WR



ASP-100

Auto Setup Probe

The ASP-100 is an auto setup probe that allows automatic white balance adjustment for a selected color temperature and measurements of color temperature and luminance on the HLM/HEM Series of LCD/OLED Monitors and the HTM-1990R CRT monitor.

For HLM Series Monitors



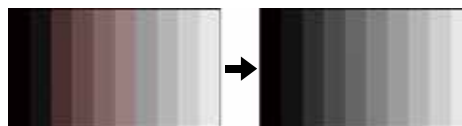
Simply connect the ASP cable to USB interface

Monitor	Integrated software		Integrated Rev# of ASP-100
	MPU	FPGA	
HLM-904WR/WCS	V1.20~		
HLM-1704WR/WS	V0.94~		
HLM-1750WR	V1.02~		
HLM-2450W	V2.02~	V20~	
HLM-2450WA	V0.94~		
HLM-2450WB	V0.76~		
HLM-3250W	V2.02~	V20~	
HLM-1504WR			
HLM-905WR/WCS			after Rev1
HLM-907WR			after Rev1
HLM-1751WR			after Rev1
HEM-1770WR			after Rev2
HEM-2570W			after Rev2

Features

(1) Automatic white balance adjustments by color temperature file

The probe automatically adjusts white balance at multiple luminance levels to one of 4 user selectable color temperature files (6500K, 9300K, and 2 user files).



(2) Measurement Mode

This Mode allows measurement of color temperature on the monitor, storing the measured data and making adjustments on multiple monitors for same color temperature.

(3) PC-free operation

Automatic adjustment software is programmed in a monitor. Simply connect the ASP cable to the monitor USB connector. No personal computer is required.

Specifications

ASP-100	Auto setup	: 6500K, 9300K, User files (2 files)
	Measurement	: Luminance and chromaticity (x, y)
	Size	: 71(W)×111(H)×35(D)mm
	Weight	: 100g
	Interface	: USB2.0
ASP-CONV	Size	: 82(W)×64(H)×32.3(D)mm
	Weight	: 130g
	Interface	: USB2.0, RS-232C

Remote Controller



SRC-400
Serial Remote Controller



RCT-30A
Infrared Remote Controller

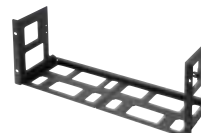


ASP-100
Auto Setup Probe Unit

Rackmount Adaptor



RS-1710T/1770T
19-inch Rack-mount Adaptor



DR-904
9-inch Rack-mount Adaptor



BP-920
Blank Panel for DR-904

Stand



STD-1770
Stand



STD-1770T
Tilt Stand



STD-1722M
VESA Arm Stand



STD-1517
Stand



STD-1517T
Tilt Stand



STD-904
Stand



STD-900
Stand



STD-920T
Tilt Stand

Battery Bracket



BB-1750A
Battery Bracket
(Anton Bauer Type)



BB-1750V
Battery Bracket
(V-Mount Type)



BB-904A
Battery Bracket
(Anton Bauer Type)



BB-904V
Battery Bracket
(V-Mount Type)

Handle



GR-1770
Handle

Carrying Case/Hood



CC-1751
Hard Carrying Case



CC-5003/7002
Hard Carrying Case



SO-016
Soft Carrying Case



MH-1750
Collapsible Hood



MH-904
Collapsible Hood



PP-1751
LCD Protection Cover



PP-904
LCD Protection Cover

Model	Description	HLM-2570W	HLM-1770WR	HLM-1751WR	HLM-3250WB	HLM-2450WB	HLM-1705WR	HLM-905WR	HLM-5013WR	HLM-7012WR	Remarks
Remote Controller											
RCT-30A	Infrared Remote Controller	●	●	●	●	●					
SRC-400	Serial Remote Controller	●	●	●	●	●	●	●			Controls up to 96 monitors with loop through connection
Video/Audio Module											
SP-70	SFP I/F Module	●	●	●							Expansion module to equip the SFP I/F module. Two SFP modules can be equipped. *can not co-reside with CM-70
CM-70	Analog RGB/YPbPr/PC Input Module	●	●	●							1ch Y, P _b , P _r or RGB Input, 1ch loop through EXT SYNC, 1ch Analog PC Input. *can not co-reside with SP-70
CM-175	Analog Component and PC Input Module					●					1ch Y, P _b , P _r or RGB Input, 1ch loop through EXT SYNC*1
CM-240	Analog Component and PC Input Module				●						1ch Y, P _b , P _r /RGB, 1ch Analog PC Input, 1ch EXT SYNC*1
D3G-240A	3G-SDI Support Multi-format HD-SDI Input Module (incl. Analog Audio Output)				●	●					2ch Input and 1ch Loop-through, 2ch (ch: Menu Select) Embedded Analog Output (XLR 5pin)*1
D3G-240D	3G-SDI Support Multi-format HD-SDI Input Module (incl. AES/EBU Audio Output)				●	●					2ch Input and 1ch Loop-through, 8ch Embedded AES/EBU Output *1
EA-240A	Embedded Analog Audio Output Module				●	●					2ch (ch:Menu Select)Embedded Analog Output(XLR 5pin)*1
EA-240D	Embedded AEX/EBU Audio Output Module				●	●					8ch Embedded AES/EBU Output *1
Auto Setup Probe											
ASP-100	Auto Setup Probe Unit	●	●	●	●	●	●	●			*3
Rackmount Adaptor											
DR-904	Dual Rack Mount Adaptor							●			4RU Height
BP-920	Blank Panel for DR-904/920							●			
RS-1770	19-inch Rack Mount Adaptor	●	●					●			Fixed type, 7RU height
RS-1770T	19-inch Rack Mount Adaptor with Tilt Mechanism	●	●					●			4-Step Angle, 7RU height
RS-1710	19-inch Rack Mount Adaptor							●			Fixed type, 7RU height
RS-1710T	19-inch Rack Mount Adaptor with Tilt Mechanism							●			4-Step Angle, 7RU height
RS-2450T	Rackmount Adaptor				●						Fixed Tilt Angle Type
Stand											
STD-1770	Stand	●	●								
STD-1770T	Stand with Tilt Mechanism	●	●								Tilt (Axis:Center of Monitor):Up 90 degree/Down 10 degree
STD-1517	Stand							●			
STD-1517T	Stand with Tilt Mechanism							●			Tilt:Up 15 degree/Down 15 degree
STD-1722M	VESA Arm Stand	●	●					●			
STD-240T	Stand with Tilt Mechanism					●					Tilt (Axis:Center of Monitor):Up 45 degree/Down 8 degree*2
STD-900	Stand							●			Tilt Angle:Up 14 degree
STD-904	Stand							●			
STD-920T	Stand with Tilt Mechanism							●			Tilt Angle:Up 10 degree/Down 10 degree
Tripod Mount Plate											
AT-900	Tripod Mount Plate							●			1/4 & 3/8 inch hole plate
Handle											
GR-1770	Handle	●	●					●			
GR-904	Handle							●			
LCD Protection Cover											
PP-1751	Protection Cover for HLM-1751WR			●							Anti-Reflection Coating
PP-1750	Protection Cover for HLM-1705WR						●				Anti-Reflection Coating
PP-904	Protection Cover for HLM-904WR							●			Anti-Reflection Coating
Battery Bracket											
BB-1750A	Battery Bracket (Anton Bauer Type)	●	●								
BB-1750V	Battery Bracket (V-Mount Type)	●	●								
BB-904A	Battery Bracket (Anton Bauer Type)							●			
BB-904V	Battery Bracket (V-Mount Type)							●			
Hood											
MH-2570	Folding Hood	●									
MH-1750	Folding Hood	●	●					●			
MH-904	Folding Hood							●			
Carrying Case											
CC-E25	Hard Carrying Case	●									
CC-E17	Hard Carrying Case	●									
CC-3250	Hard Carrying Case				●						
CC-2450B	Hard Carrying Case					●					
CC-1751	Hard Carrying Case			●							
CC-1705	Hard Carrying Case							●			
CC-905	Hard Carrying Case							●			
SO-016	Soft Carrying Case							●			
CC-5013	Hard Carrying Case								●		
CC-7012	Hard Carrying Case									●	

Note

- *1: Either one optional module can be installed. Up to 4ch SDI input is available if D3G-240A or D3G-240G is installed.
- *2: Standard Tilt Stand has a tilt mechanism with axis at bottom of monitor (up 15 degree and down 8 degree).
- *3: Please refer page9 regarding integrated software for each monitors and Rev# for ASP-100.



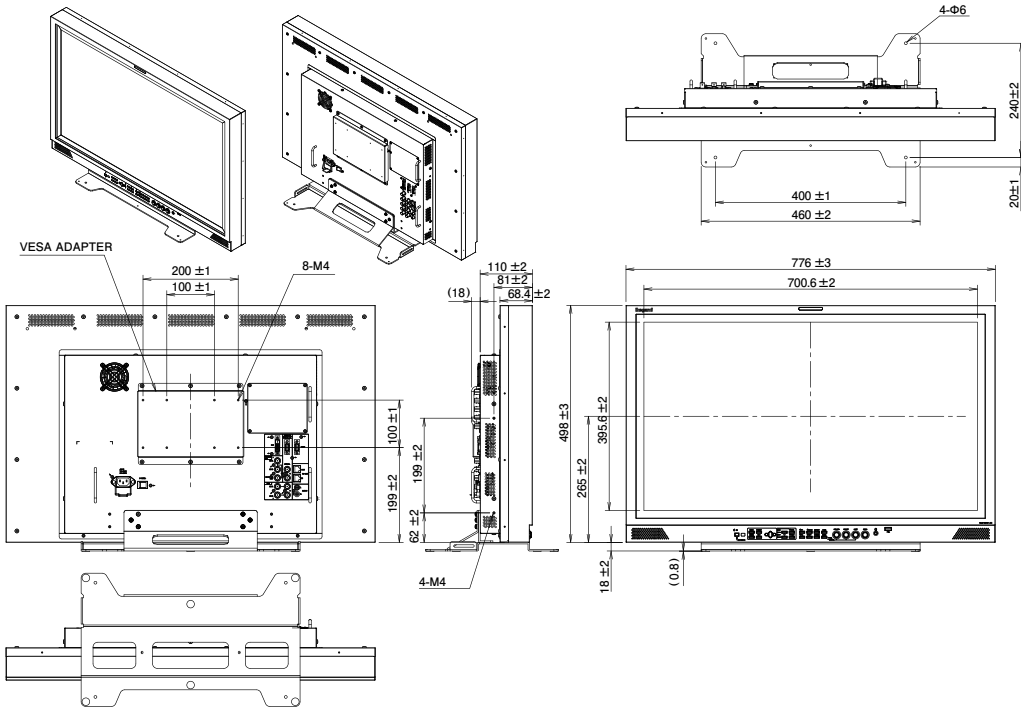
		HLM-1705WR	HLM-905WR	HLM-5013WR	HLM-7012WR	
Display Panel	Type of Panel	LCD		LCD / LED Backlight		
	Number of Pixel	Effective Number of Pixel	WXGA (15:9) 1280x768		WVGA (15:9) 800x480	
		Number of Pixel in 16:9	1280x720		800x450	
	Display Size (Diagonal)	Display Size (Viewing Area)	17.0"	8.9"	5.0"	7.0"
		in 16 : 9	16.7"	8.8"	4.9"	6.9"
	Brightness	(Specification of Panel)	370cd/m ²	350cd/m ²	180cd/m ²	290cd/m ²
	Contrast Ratio (typical)		800:1	1000:1	500:1	1000:1
Display Color		16.77 million colors / 8bit				
View Angle (up & down, left & right typical)		178°		176°		
Rating & Performance	Power Requirement	AC	AC100-120V / AC200-240V		AC100-240V (When using AC Adaptor)	
		DC	-		DC12V (10.5-18V)	
	Power Consumption (max)	AC (Standard Spec)	40W	23W	1.7A	
		DC (Standard Spec)	-	20W / 1.6A	34W	30W
	Dimensions WxHxD mm (inch)	428x301x80 (16.9x11.9x3.2)	222.4x173x69.5 (8.8x6.8x2.8)	481x88.1x56.2 (18.88x3.5x2.22)	481x132.6x56.2 (18.88x5.25x2.22)	
	Rack-mountable Space	7U	4U	2U	3U	
	Weight kg(lbs) *Excluding stand	Approx 6.0kg (13.22 lbs)	Approx 2.0kg (4.41 lbs)	Approx 1.7kg (3.74 lbs)	Approx 2.1kg (4.63 lbs)	
	Supporting Formats	SDTV	480i / 59.94, 575i / 50			
		HDTV	1035i/59.94/60, 1080i/50/59.94/60 1080p/23.98/24/25/29.97/30/50/59.94/60 1080psF/23.98/24/29.97/30 720p/23.98/24/25/29.97/30/50/59.94/60		1080i/50/59.94/60 1080p/23.98/24/25/29.97/30/50/59.94/60 1080psF/23.98/24/29.97/30 720p/23.98/24/25/29.97/30/50/59.94/60	
	Video	Input/Output	3G/HD/SD-SDI	● 2 Inputs, 1 Output		
VBS			● 1 Input/Output (TH)		-	
RGB/YpBPr			-			
Analog PC			-			
HDMI			-			
External Sync			-			
Audio	Input	Analog Audio Input	● (st min jack)		-	
	Output	Embedded Analog 2ch Output	● (st min jack)		-	
		Embedded AES/EBU 8ch Output	-			
	Display	Embedded Audio Level Meter Display	● (8ch)		● (16ch)	
		Rating Output	1W			
	Speaker	Analog Audio Output	● (Monaural)		-	
		Embedded Digital Audio Output	●			
5.1ch Surround Down-mix Output	●					
Headphone Output	●					
Command Control	Parallel Remote	●			-	
	Serial Remote (Controlled by SRC-301Z)	●			-	
	Serial Remote (RS-485)	▲ (To be customized)			-	
	USB Mouse	●			-	
Infrared rays Remote (Controlled by RCT-30A)	-					
Function	Display	Built-in Test Signal	● (3 types)		-	
		Marker	Safety Marker: 100% + 80~99% (Every 1% step) Area Marker: 4:3 (at 16:9), 13:9, 14:9, 15:9, 16:9 (at 4:3), 1.85:1, 2.35:1 Cross Marker: Cross, 5x5, 10x10		Safety Marker: 100%+80~99% (Every 1% step) Area Marker: 4:3 (at 16:9), 13:9, 14:9, 15:9, 16:9 (at 4:3), 1.85:1, 2.35:1	
		User Marker	● (10 Markers)		-	
		User Marker (Number of Scene)	1	10 (After Ver2.0)		
		Shadow	Area Marker: 4:3 (at 16:9), 13:9, 14:9, 15:9, 16:9 (at 4:3) Shadow Level: 0%, 20%, 40%, 60%		-	
		WFM Display	●			
		Time Code	● (VITC, HD-SDI)		● (LTC / VITC1 / VITC2)	
		Vector	●			
		2 Screen Display (Left: Still Image Right: Moving Picture)	●			
		Full Screen Capture Display	-	● (1280x720)		-
		IMD (In Monitor Display)	-	●		
		Video & TEST Signal Mix	-			
		Zoom Function	-			
	Dot by Dot Display	●				
	Others	Operating Time Display	●			
		Color Temp Memory	● 6500K / 9300K / 8 User Settings		● 6500K / 9300K / 1 User Setting	
		Color/Mono Switching	●			
		VBS COMB Filter	●			
		APT	● (ON/OFF, Frequency)		●	
		Backlight Dimmer	●			
		R/G/B Screen Display ON/OFF	● (MENU)			
		Scan Selection	NORMAL / UNDER		NORMAL / OVER / 4:3ZOOM	
		Aspect Selection	4:3/16:9 (SDTV)		AUTO / 4:3 / 16:9	
		I/P Conversion Mode	FIELD / FRAME		FRAME	
		External Memory	● (USB)			
		Saving Still Image (in USB)	-	● (Maximum 32 Frames)		
		Function Key	● 2			
LED Alarm Display		● (SDI ERROR)		-		
SDI Channel Lock Setting	●					
USB Memory Version-up	●					

● : Standard, ▲ : Option

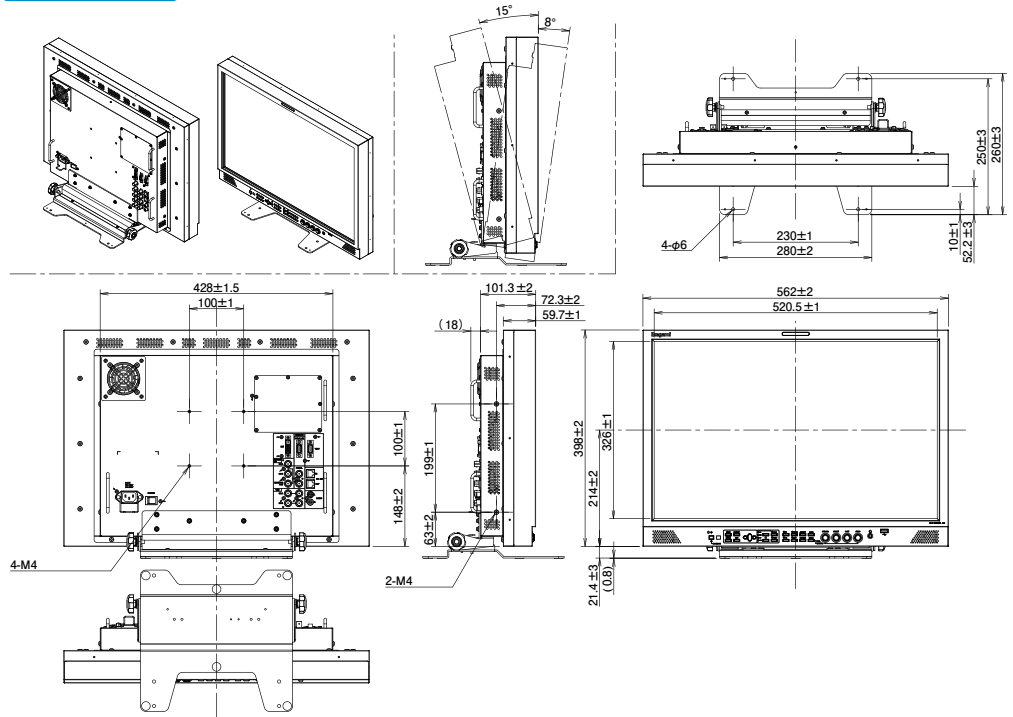
*1 EIAJ ED-2810 dark place, partial lighting contrast

*2 SMPTE425M-A/B, YPBPR, 4:2:2

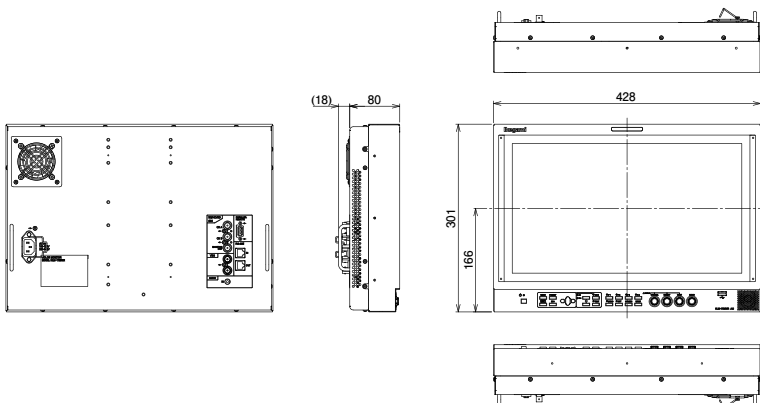
HLM-3250W



HLM-2450WB



HLM-1705WR



Unit:mm